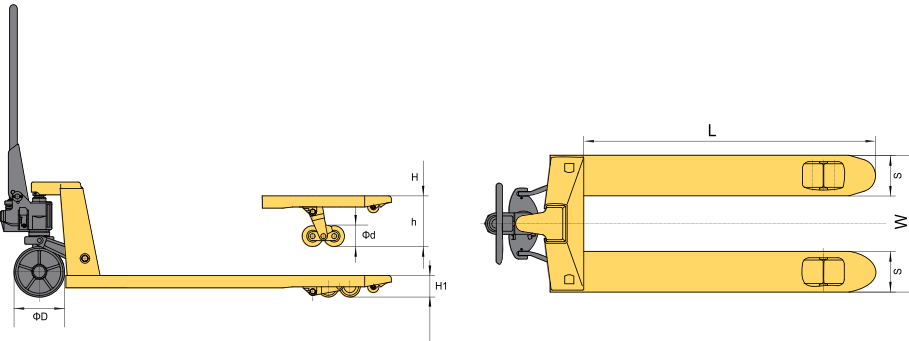


# WH-20/25L-51

## Low Profile Hand Pallet Truck

- ◆ Easy access to the lowest pallets and containers with the minimum floor clearance of 51mm only.
- ◆ High quality surface treatment.
- ◆ Reliable Pump, Integrated AC pump, more than 1 million pcs use in China per year, high reliable quality, extremely low failure rate.

MODEL		WH-20L-51	WH-25L-51	
<b>FEATURE</b>				
1.1	capacity	kg	2000	2500
1.2	pump type		AC	AC
<b>WHEEL</b>				
2.1	wheel(drive/load) Type		NYLON/PU	PU
2.2	size of steering wheel	ΦD mm	180*50	180*50
2.3	size of Loading wheel(single wheel)	Φd mm	50*93	50*93
2.4	size of Loading wheel(double wheel)	Φd mm	50*70	50*70
<b>DIMENSIONS</b>				
3.1	lifting height	h mm	105	105
3.2	max. fork lifting height	H mm	155	155
3.3	Lowered height of fork	H1 mm	51±5	51±5
3.4	fork outside distance	W mm	540/685	540/685
3.5	fork length	L mm	1150/1220	1150/1220
3.6	fork thickness	mm	3.75	3.75
3.7	handle		Coated square handle	Coated square handle



# Hand Pallet Truck

## STRONG CHASSIS DESIGN



◆ Reinforced half Stiffener on both sides.



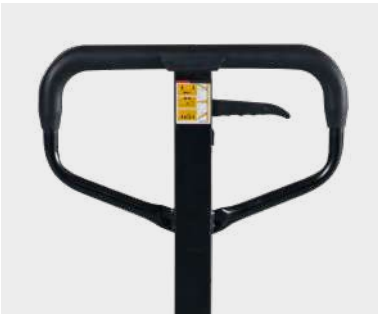
◆ Fork thickness: 3.75mm



◆ Extra reinforcement rod on top of the chassis.  
Leads to a longer chassis life time.



◆ Adjustable push rod :  
Adjustable push rod design, after 1-2 years use, due to wrong load center, there might be situation with 2 forks not in the same even level, the customer can adjust the forks to even level with the adjustable push rod.



**Ergonomic handle**  
◆ Square handle with rubber coated, comfort and easy operation.