

## CONFIGURATION

Overhead Guard	Combination Instrument
Top Rain Shelter	Working Hour Meter
Pedal Rubber	Oil Content Meter
Semi-suspension Seat	Water-thermometer
Automatic Shift	Charging Indicator
Electro-hydraulic Reversing	Neutral Position Switch
Wide Field Mast (2 Stage)	Oil Pressure Warning
Backrest	Electric Horn
Standard Forks	LED Signal Lamp
Adjustable Steering Column	Reversing Buzzer
Lifting and Tilting Joysticks	Key Shutoff Device
Two Piece Multiplex Valve	Push-button Parking brake
Full-hydraulic Power Steering	Torque Converter Oil Gauge
Tilting Cylinder Latching Valve	Traction Pin
Transmission Oil Filter	Tool Box
Power Master Switch	

## OPTIONAL

Solid Tires	Driving OPS
Cabin	Full Set OPS (Including drive and lift)
Working Warning Light	Torque Converter Oil Temperature Alarm
Suspension Seat	Full Set LED Lamps
Warm-air Blower	Reversing Voice Horn
Front Windscreen	Overspeed Alarm, 10km/h
Rear Working Lamp	Electric Fan
High Level Exhaust	Sound-light Alarm
Double Air Filter	Lengthen Fork Jacket
Oil Bath Air Filter	Tilting Cylinder Sleeve
Fire Extinguishing Muffler	Steering Cylinder Sleeve
Widen Fork Frame	Custom Colors
Multiple Work Attachments	

## PRODUCT FEATURES

<p><b>Good Heat Dissipation</b> Cooling system is reasonable optimized, which improves cooling performance significantly. Thus improving reliability and durability of key components such as gearbox and engine.</p>
<p><b>Lowering Energy Consumption</b> Optimized design of load sensing hydraulic system reduces vehicle fuel consumption effectively.</p>
<p><b>Operating Comfort</b> Adopted interactive ergonomic design to improve operating comfort. Equipped with wide field of view mast to improve driver's field of view.</p>
<p><b>Intelligent Reversing</b> Electro-hydraulic Reversing System. Easy to operate and labor-saving. Upgrade new intelligent shift system, prevent the second gear starting, ensure reliability of gearbox.</p>
<p><b>Convenient Maintenance</b> Interior space of car body is more spacious. Parts Positions are more reasonable. Opening angle of hood is increased to 80°.</p>
<p><b>High Reliability</b> Strength of the core structural parts of car body, mast and hood has been enhanced greatly to make whole vehicle more solid.</p>

The following blank can be used for notes or comments.

**For more information on Lonking products,  
Please contact our local agent:**

Lonking, Lonking LG Series and their respective logos, as well as corporate identity in this leaflet are trademarks of Lonking Holdings Ltd., and may not be used without written permission.  
2020/06

Specifications and design are subject to change without prior notice.  
Machines shown may not include optional accessories.

# LONGKING 龙工

## LG50/60/70DTIII

BALANCEWEIGHT TYPE FORKLIFT TRUCK WITH ENGINE

Efficiency Rules the Future



LONGKING (FU JIAN) INTERNATIONAL TRADE CO., LTD.

**LONGKING HOLDINGS LIMITED**

Add: 26 Minyi Road, Xinqiao, Songjiang Industrial Zone, Shanghai

Tel: +86-21-3760 2242 E-mail: export@lonking.cn

<http://www.lonkinggroup.com>

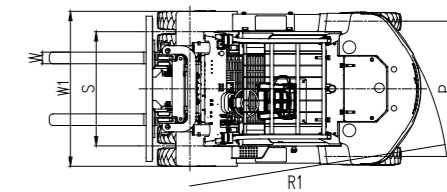
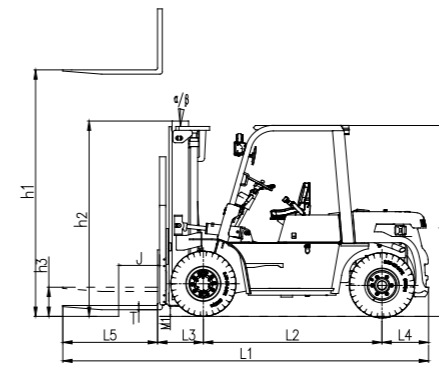
	LG50DTIII	LG60DTIII	LG70DTIII
Rated Capacity (kg)	5000	6000	7000
Load Center (mm)	600	600	600
Power Type	Diesel	Diesel	Diesel

## OVERALL SPECIFICATIONS

Type	No.	Item	Code	Unit	Data		
Identification	1.01	Manufacturer			LONKING		
	1.02	Model			LG50DT III	LG60DT III	LG70DT III
	1.03	Power type			Diesel		
	1.04	Rated capacity	Q	kg	5000	6000	7000
	1.05	Load center	J	mm	600		
Dimensions	2.01	STD Max height (with backrest)		mm	4430	4430	4430
	2.02	STD Max lifting height	h1	mm	3000	3000	3000
	2.03	Overhead guard height	h4	mm	2450	2450	2450
	2.04	Overall length (with fork)	L1	mm	4715	4790	4840
	2.05	Wheelbase	L2	mm	2300	2300	2300
	2.06	Front overhang	L3	mm	594	594	599
	2.07	Rear overhang	L4	mm	600	675	720
	2.08	Min. ground clearance (Frame/Mast)	m1/m2	mm	230/200	230/200	230/200
	2.09	Overall width	W1	mm	1995	1995	1995
	2.10	Adjusting range of fork (outside)		mm	300-1805	300-1805	300-1805
	2.11	STD Fork size (L5*W*T)		mm	1220×150×60		1220×150×65
	2.12	Front wheel tread	S	mm	1470	1470	1470
	2.13	Rear wheel tread	P	mm	1700	1700	1700
	2.14	Min. turning radius	R1	mm	3240	3300	3370
	2.15	Min aisle width for pallet 1000×1200, crossways		mm	5255	5315	5385
2.16	Min aisle width for pallet 800×1200, lengthways		mm	5255	5315	5385	
Tires	3.01	Wheels number, front/rear (X=driven wheels)			X=4/2		
	3.02	Tires type			Pneumatic		
	3.03	Tires size, front			8.25-15-14PR		
	3.04	Tires size, rear			8.25-15-14PR		
Other Details	4.01	Max. traveling speed, loaded/unloaded		km/h	24/29	24/29	24/29
	4.02	Max. lifting speed, loaded/unloaded		mm/s	510/530	510/530	500/530
	4.03	Lowering speed, loaded/unloaded		mm/s	400/390		
	4.04	Max. traction, loaded		KN	63	63	63
	4.05	Max. gradient, loaded/unloaded		%	38/20	35/20	32/20
	4.06	STD operating weight (with oil & water)		kg	8320	8940	9540
	4.07	Axles loading, front/rear (loaded)		kg	11950/1470	13350/1750	14740/1800
	4.08	Axles loading, front/rear (unloaded)		kg	4250/4170	4100/5000	3890/5650
	4.09	Service brake			Power brake-pedal		
	4.10	Parking brake			Mechanical-hand brake lever		
	4.11	Drive type			Automatic		
	4.12	Number of gear (front/rear)			2/2		
	4.13	Fuel tank capacity		L	140		
	4.14	Battery voltage/capacity		V/Ah	2×12/90		

## ENGINE OPTIONAL

Engine Model	Emission	Manufacturer	Rated Power	Max. Torque (N.m/rpm)	Bore/Cylinders Number/Displacement	Fuel Consumption
CA6110/125G5-LG20	CHN II	XICHA	83kW/2000rpm	450/1400-1500	110/6/7.127L	230g/kW.h
CA4DF3-12GCG3U-LG10	CHN III	XICHA	85kW/2200rpm	460/1300-1700	110/4/4.75L	220g/kW.h
WP4.1G125E302	CHN III	WEICHA	92kW/2200rpm	480/1400-1600	105/4/4.09L	230g/kW.h
A-6BG1QC-02	Euro I	ISUZU	82.4kW/2000rpm	416/1500	105/6/6.494L	232g/kW.h
S6S-Y3T	Euro III A	MITSUBISHI	63.9kW/2300rpm	285/1700	94/6/4.996L	265g/kW.h



## MAST SPECIFICATIONS

### 2 Stage Standard Mast-Super Wide Field

Mast Model	h1 Max Lifting Height(mm)	Load Capacity (J=600mm) ( kg )			h2 Lowered Mast Height (mm)	h3 Free Lifting Height, without backrest (mm)		Mast tilt α/β (°)
		LG50DT III	LG60DT III	LG70DT III		LG50-60DT III	LG70DT III	
M200	2000	5000	6000	7000	2000	206	211	10/12
M250	2500	5000	6000	7000	2250	206	211	10/12
M270	2700	5000	6000	7000	2350	206	211	10/12
M300	3000	5000	6000	7000	2500	206	211	10/12
M330	3300	5000	6000	7000	2650	206	211	10/12
M350	3500	5000	6000	7000	2750	206	211	10/12
M375	3750	5000	6000	7000	2875	206	211	10/12
M400	4000	5000	6000	7000	3050	206	211	10/12
M425	4250	5000	6000	7000	3175	206	211	10/12
M450	4500	5000	6000	7000	3300	206	211	10/12
M475	4750	5000	6000	7000	3425	206	211	6/6
M500	5000	5000	6000	7000	3550	206	211	6/6
M550	5500	4750	5700	6600	3850	206	211	6/6
M600	6000	4400	5400	6400	4100	206	211	6/6

### 2 Stage Free Mast-Super Free Lifting Height

Mast Model	h1 Max Lifting Height(mm)	Load Capacity (J=600mm) ( kg )			h2 Lowered Mast Height (mm)	h3 Free Lifting Height, without backrest (mm)		Mast tilt α/β (°)
		LG50DT III	LG60DT III	LG70DT III		LG50-60DT III	LG70DT III	
ZM200	2000	5000	6000	7000	1960	980	985	10/12
ZM225	2250	5000	6000	7000	2085	1105	1110	10/12
ZM250	2500	5000	6000	7000	2210	1230	1235	10/12
ZM270	2700	5000	6000	7000	2310	1330	1335	10/12
ZM300	3000	5000	6000	7000	2460	1480	1485	10/12
ZM330	3300	5000	6000	7000	2610	1630	1635	10/12
ZM350	3500	5000	6000	7000	2710	1730	1735	10/12
ZM370	3700	5000	6000	7000	2810	1830	1835	10/12
ZM400	4000	5000	6000	7000	3010	2030	2035	10/12
ZM425	4250	5000	6000	7000	3135	2155	2160	10/12
ZM450	4500	5000	6000	7000	3260	2280	2285	10/12

Note: With backrest, free lifting height reduces 402mm.

### 3 Stage Free Mast-Super Free Lifting Height

Mast Model	h1 Max Lifting Height(mm)	Load Capacity (J=600mm) ( kg )			h2 Lowered Mast Height (mm)	h3 Free Lifting Height, without backrest (mm)		Mast tilt α/β (°)
		LG50DT III	LG60DT III	LG70DT III		LG50-60DT III	LG70DT III	
ZSM320	3200	4800	5900	6500	2205	1247	1252	10/12
ZSM360	3600	4500	5600	6200	2335	1377	1382	10/12
ZSM400	4000	4500	5600	6200	2465	1507	1512	10/12
ZSM435	4350	4500	5600	6200	2585	1627	1632	6/6
ZSM450	4500	4500	5600	6200	2635	1677	1682	6/6
ZSM480	4800	4500	5600	6200	2735	1777	1782	6/6
ZSM500	5000	4500	5600	6200	2805	1847	1852	6/6
ZSM540	5400	4200	5300	6000	2990	2032	2037	6/6
ZSM600	6000	4000	5000	5500	3190	2232	2237	6/6
ZSM630	6300	3800	4600	5000	3290	2332	2337	6/6
ZSM650	6500	3600	4300	4500	3355	2397	2402	6/6

Note: With backrest, free lifting height reduces 424mm.