

CONFIGURATION

| | |
|-------------------------------|---------------------------------|
| Hydraulic Gearbox | Tilting Cylinder Latching Valve |
| Electric Reversing | Combination Instrument |
| Overhead Guard | Working Hour Meter |
| Top Rain Shelter | Oil Content Meter |
| Pedal Rubber | Water-thermometer |
| Semi-suspension Seat | Charging Indicator |
| Wide Field Mast (2 Stage) | Neutral Position Switch |
| Fork Carriage | Oil Pressure Warning |
| Backrest | Electric Horn |
| Standard Forks | LED Signal Lamp |
| Adjustable Steering Column | Reversing Buzzer |
| Lifting and Tilting Joysticks | Backup Mirror |
| Two Piece Multiplex Valve | Traction Pin |
| Full-hydraulic Power Steering | Tool Box |

OPTIONAL

| | |
|---------------------------|---|
| Mechanical Gearbox | Fire Extinguishing Muffler |
| Mechanical Reversing | Driving OPS |
| Solid Tires | Full Set OPS (Including drive and lift) |
| Cabin | Full Set LED Lamps |
| Working Warning Light | Reversing Voice Horn |
| Suspension Seat | Overspeed Alarm, 10km/h |
| Cold A/C | Electric Fan |
| Warm-air Blower | Sound-light Alarm |
| Front Windscreen | Rear Working Lamp |
| High Level Exhaust | Lengthen Fork Jacket |
| Double Air Filter(S4S NA) | Tilting Cylinder Sleeve |
| Oil Bath Air Filter | Steering Cylinder Sleeve |
| Widen Fork Frame | Custom Colors |
| Multiple Work Attachments | |

PRODUCT FEATURES

Attractive Appearance
Smooth and novel styling, balance weight with car design elements, strong personality, dynamic.

Lowering Energy Consumption
Optimized design of load sensing hydraulic system reduces vehicle fuel consumption Effectively.

Operating Comfort
Adopted interactive ergonomic design to improve operating comfort. Equipped with wide field of view mast to improve driver's field of view.

Sensitive and Stable
Integral steering device, more sensitive directivity, smooth operation, more stable quality.

Convenient Maintenance
Interior space of car body is more spacious Parts Positions are more reasonable. Maintainability of machine is better.

Safety and Reliable
High-strength integral hood and one-body impact molding overhead guard.

The following blank can be used for notes or comments.

**For more information on Lonking products,
Please contact our local agent:**

Lonking, Lonking LG Series and their respective logos, as well as corporate identity in this leaflet are trademarks of Lonking Holdings Ltd., and may not be used without written permission.
2020/04

Specifications and design are subject to change without prior notice.
Machines shown may not include optional accessories.

LONGKING 龙工

LG20/25/30/35DT III BALANCEWEIGHT TYPE FORKLIFT TRUCK WITH ENGINE Efficiency Rules the Future



LONGKING (FU JIAN) INTERNATIONAL TRADE CO., LTD.

LONGKING HOLDINGS LIMITED

Add: 26 Minyi Road, Xinqiao, Songjiang Industrial Zone, Shanghai

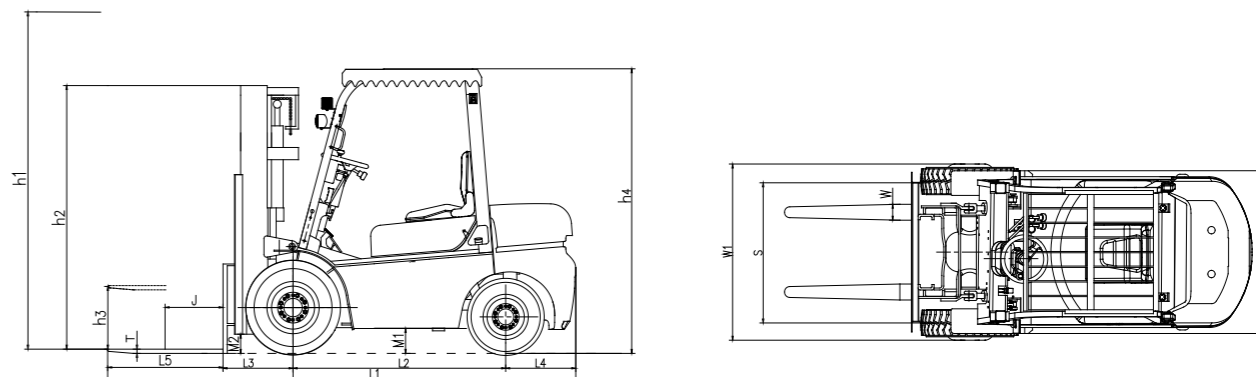
Tel: +86-21-3760 2242 E-mail: export@lonking.cn

<http://www.lonkinggroup.com>

| | LG20DTIII | LG25DTIII | LG30DTIII | LG35DTIII |
|---------------------|-----------|-----------|-----------|-----------|
| Rated Capacity (kg) | 2000 | 2500 | 3000 | 3500 |
| Load Center (mm) | 500 | 500 | 500 | 500 |
| Power Type | Diesel | Diesel | Diesel | Diesel |

OVERALL SPECIFICATIONS

| Type | No. | Item | Code | Unit | Data | | | |
|----------------|------|--|-------|------|------------------------------|--------------|-------------|-----------|
| Identification | 1.01 | Manufacturer | | | LONKING | | | |
| | 1.02 | Model | | | LG20DTIII | LG25DTIII | LG30DTIII | LG35DTIII |
| | 1.03 | Power type | | | Diesel | | | |
| | 1.04 | Rated capacity | Q | kg | 2000 | 2500 | 3000 | 3500 |
| | 1.05 | Load center | J | mm | 500 | 500 | 500 | 500 |
| Dimensions | 2.01 | STD Max height (with backrest) | | mm | 3965 | 3965 | 4210 | 4237 |
| | 2.02 | STD Max lifting height | h1 | mm | 3000 | 3000 | 3000 | 3000 |
| | 2.03 | Overhead guard height | h4 | mm | 2130 | 2130 | 2150 | 2150 |
| | 2.04 | Overall length (with fork) | L1 | mm | 3670 | 3670 | 3850 | 3898 |
| | 2.05 | Wheelbase | L2 | mm | 1650 | 1650 | 1750 | 1750 |
| | 2.06 | Front overhang | L3 | mm | 448 | 448 | 487 | 498 |
| | 2.07 | Rear overhang | L4 | mm | 500 | 500 | 550 | 580 |
| | 2.08 | Min.ground clearance (Frame/Mast) | m1/m2 | mm | 160/135 | 160/135 | 165/132 | 165/132 |
| | 2.09 | Overall width | W1 | mm | 1165 | 1165 | 1250 | 1250 |
| | 2.10 | Adjusting range of fork (outside) | | mm | 240-1040 | 240-1040 | 255-1055 | 255-1055 |
| | 2.11 | STD Fork size (L5*W*T) | | mm | 1070×120×40 | 1070×125×45 | 1070×125×50 | |
| | 2.12 | Front wheel tread | S | mm | 970 | 970 | 1030 | 1030 |
| | 2.13 | Rear wheel tread | P | mm | 980 | 980 | 980 | 980 |
| | 2.14 | Min.turning radius | R1 | mm | 2300 | 2300 | 2520 | 2530 |
| | 2.15 | Min aisle width for pallet 1000×1200,crossways | | mm | 3950 | 3950 | 4200 | 4225 |
| | 2.16 | Min aisle width for pallet 800×1200,lengthways | | mm | 4148 | 4148 | 4407 | 4428 |
| Tires | 3.01 | Wheels number, front/rear (X=driven wheels) | | | X=2/2 | | | |
| | 3.02 | Tires type | | | Pneumatic | | | |
| | 3.03 | Tires size, front | | | 7.00-12-12PR | 28×9-15-14PR | | |
| | 3.04 | Tires size, rear | | | 6.00-9-10PR | 6.50-10-10PR | | |
| Other Details | 4.01 | Max.traveling speed, loaded/unloaded | | km/h | 18.5/20 | 18.5/20 | 18.5/20 | 18.5/20 |
| | 4.02 | Max.lifting speed, loaded/unloaded | | mm/s | 480/510 | 480/510 | 450/485 | 450/485 |
| | 4.03 | Lowering speed, loaded/unloaded | | mm/s | Loaded≤ 600/Unloaded≥ 300 | | | |
| | 4.04 | Max.gradient, loaded/unloaded | | % | 20 | 20 | 20 | 20 |
| | 4.05 | STD operating weight (with oil & water) | | kg | 3310 | 3550 | 4180 | 4650 |
| | 4.06 | Axles loading,front/rear (loaded) | | kg | 4725/525 | 5490/610 | 6520/640 | 7265/865 |
| | 4.07 | Axles loading,front/rear (unloaded) | | kg | 1300/1950 | 1440/2160 | 1680/2480 | 1760/2870 |
| | 4.08 | Service brake | | | Mechanical/Power brake-pedal | | | |
| | 4.09 | Parking brake | | | Mechanical-hand brake lever | | | |
| | 4.10 | Drive type | | | Mechanical/Automatic | | | |
| | 4.11 | Fuel tank capacity | | L | 50 | 50 | 60 | 60 |
| | 4.12 | Battery votage/capacity | | V/Ah | 12/80 | | | |



MAST SPECIFICATIONS

2 Stage Standard Mast-Super Wide Field

| Mast Model | h1 Max Lifting Height(mm) | Load Capacity (J=500mm) (kg) | | | | h2 Lowered Mast Height (mm) | | | h3 Free Lifting Height, without backrest (mm) | | | Mast tilt α/β (°) |
|------------|---------------------------|--------------------------------|-----------|-----------|-----------|-----------------------------|------|------|---|-----|------|-------------------|
| | | 2T | 2.5T | 3T | 3.5T | 2-2.5T | 3T | 3.5T | 2-2.5T | 3T | 3.5T | |
| M200 | 2000 | 2000 | 2500 | 3000 | 3500 | 1635 | 1632 | 1680 | 110 | 125 | 170 | 6/12 |
| M225 | 2250 | 2000 | 2500 | 3000 | 3500 | 1885 | 1882 | 1930 | 110 | 125 | 170 | 6/12 |
| M250 | 2500 | / | / | / | 3500 | / | / | 2030 | 110 | / | 170 | 6/12 |
| M275 | 2750 | 2000 | 2500 | 3000 | / | 2010 | 2007 | / | / | 125 | / | 6/12 |
| M300 | 3000 | 2000 | 2500 | 3000 | 3500 | 2135 | 2132 | 2180 | 110 | 125 | 170 | 6/12 |
| M330 | 3300 | 2000 | 2500 | 3000 | 3500 | 2285 | 2282 | 2330 | 110 | 125 | 170 | 6/12 |
| M350 | 3500 | 2000 | 2500 | 3000 | 3500 | 2385 | 2382 | 2430 | 110 | 125 | 170 | 6/12 |
| M370 | 3700 | / | / | / | 3500 | / | / | 2530 | 110 | / | 170 | 6/12 |
| M375 | 3750 | 2000 | 2500 | 3000 | / | 2510 | 2507 | / | / | 125 | / | 6/6 |
| M400 | 4000 | 2000 | 2500 | 2950 | 3200*3400 | 2685 | 2682 | 2730 | 110 | 125 | 170 | 6/6 |
| M425 | 4250 | 1850*2000 | 2250*2500 | 2850*3000 | 3100*3300 | 2810 | 2807 | 2855 | 110 | 125 | 170 | 6/6 |
| M450 | 4500 | 1600*1900 | 2100*2400 | 2600*2800 | 2900*3100 | 2935 | 2932 | 2980 | 110 | 125 | 170 | 6/6 |
| M475 | 4750 | 1400*1800 | 1900*2200 | / | 2700*2900 | 3060 | / | 3105 | 110 | / | 170 | 6/6 |
| M500 | 5000 | 1300*1700 | 1600*1900 | 2100*2400 | 2400*2750 | 3185 | 3182 | 3230 | 110 | 125 | 170 | 6/6 |
| M550 | 5500 | 1200*1500 | 1200*1700 | 2000*2400 | 2200*2400 | 3485 | 3482 | 3530 | 110 | 125 | 170 | 3/6 |
| M600 | 6000 | 1000*1300 | 900*1400 | 1500*2000 | *2200 | 3735 | 3732 | 3780 | 110 | 125 | 170 | 3/6 |

Note:*** means capacity of double front wheels.

2 Stage Free Mast-Super Free Lifting Height

| Mast Model | h1 Max Lifting Height(mm) | Load Capacity (J=500mm) (kg) | | | | h2 Lowered Mast Height (mm) | | | h3 Free Lifting Height, without backrest (mm) | | | Mast tilt α/β (°) |
|------------|---------------------------|--------------------------------|-----------|-----------|-----------|-----------------------------|------|------|---|------|------|-------------------|
| | | 2T | 2.5T | 3T | 3.5T | 2-2.5T | 3T | 3.5T | 2-2.5T | 3T | 3.5T | |
| ZM200 | 2000 | 2000 | 2500 | 3000 | 3500 | 1550 | 1632 | 1680 | 990 | 1051 | 965 | 6/12 |
| ZM250 | 2500 | 2000 | 2500 | 3000 | 3500 | 1805 | 1882 | 1930 | 1240 | 1301 | 1215 | 6/12 |
| ZM270 | 2700 | / | / | / | 3500 | / | / | 2030 | / | / | 1315 | 6/12 |
| ZM275 | 2750 | 2000 | 2500 | 3000 | / | 1905 | 2007 | / | 1365 | 1426 | / | 6/12 |
| ZM300 | 3000 | 2000 | 2500 | 3000 | 3500 | 2055 | 2132 | 2180 | 1490 | 1551 | 1465 | 6/12 |
| ZM330 | 3300 | 2000 | 2500 | 3000 | 3500 | 2205 | 2282 | 2330 | 1640 | 1701 | 1615 | 6/12 |
| ZM350 | 3500 | 2000 | 2500 | 3000 | 3500 | 2305 | 2382 | 2430 | 1740 | 1801 | 1715 | 6/12 |
| ZM370 | 3700 | / | / | / | 3500 | / | / | 2530 | / | / | 1815 | 6/12 |
| ZM375 | 3750 | 2000 | 2500 | 3000 | / | 2430 | 2507 | / | 1865 | 1926 | / | 6/6 |
| ZM400 | 4000 | 2000 | 2500 | 2850 | 3250*3500 | 2605 | 2682 | 2730 | 2040 | 2101 | 2015 | 6/6 |
| ZM425 | 4250 | 1800*1900 | 2300*2400 | / | / | / | / | / | / | / | / | 6/6 |
| ZM450 | 4500 | 1600*1900 | 2100*2400 | 2600*2800 | 2900*3100 | 2855 | 2932 | 2980 | 2290 | 2351 | 2265 | 6/6 |

Note:*** means capacity of double front wheels.2-2.5T free lifting height reduces 293mm with backrest.3T free lifting height reduces 594mm with backrest.3.5T free lifting height reduces 454mm with backrest.

3 Stage Free Mast-Super Free Lifting Height

| Mast Model | h1 Max Lifting Height(mm) | Load Capacity (J=500mm) (kg) | | | | h2 Lowered Mast Height (mm) | | | h3 Free Lifting Height, without backrest (mm) | | | Mast tilt α/β (°) |
|------------|---------------------------|--------------------------------|-----------|-----------|-----------|-----------------------------|------|------|---|------|------|-------------------|
| | | 2T | 2.5T | 3T | 3.5T | 2-2.5T | 3T | 3.5T | 2-2.5T | 3T | 3.5T | |
| ZSM360 | 3600 | 1900 | 2400 | 2900 | 3300 | 1885 | 1827 | 1862 | 1243 | 1254 | 1155 | 6/6 |
| ZSM400 | 4000 | 1800*1900 | 2300 | 2800 | 3300 | 1930 | 1952 | 1987 | 1368 | 1379 | 1280 | 6/6 |
| ZSM435 | 4350 | 1750*1900 | 2200*2400 | 2700*2900 | 2900*3100 | 2055 | 2077 | 2112 | 1493 | 1504 | 1405 | 6/6 |
| ZSM450 | 4500 | 1600*1800 | 2000*2300 | 2500*2700 | 2800*3000 | 2118 | 2140 | 2175 | 1556 | 1567 | 1470 | 6/6 |
| ZSM470 | 4700 | 1300*1700 | 1800*2100 | 2350*2550 | 2600*2800 | 2183 | 2205 | 2240 | 1621 | 1632 | 1535 | 6/6 |
| ZSM480 | 4800 | 1250*1700 | 1700*2000 | 2250*2450 | 2500*2750 | 2205 | 2227 | 2262 | 1643 | 1654 | 1555 | 6/6 |
| ZSM500 | 5000 | 1100*1600 | 1500*1800 | 2100*2300 | 2300*2600 | 2305 | 2327 | 2362 | 1743 | 1754 | 1655 | 6/6 |
| ZSM540 | 5400 | 900*1400 | 1200*1600 | 1650*2100 | 1800*2300 | 2430 | 2452 | 2487 | 1868 | 1879 | 1780 | 3/6 |
| ZSM550 | 5500 | / | / | 1500*2000 | 1700*2200 | / | 2492 | 2527 | / | 1919 | 1820 | 3/6 |
| ZSM600 | 6000 | 600*1100 | 800*1300 | 1200*1800 | 1300*2000 | 2655 | 2677 | 2712 | 2093 | 2104 | 2005 | 3/6 |
| ZSM650 | 6500 | 400*800 | 600*1000 | 900*1500 | 1000*1600 | 2870 | 2892 | 2927 | 2308 | 2319 | 2220 | 3/3 |

Note:*** means capacity of double front wheels.2-2.5T free lifting height reduces 293mm with backrest.3T free lifting height reduces 602mm with backrest.3.5T free lifting height reduces 466mm with backrest.

ENGINE OPTIONAL

| Engine Model | Emission | Manufacturer | Rated Power | Max.Torque | Bore/Cylinders Number/Displacement | Fuel Consumption | Applicable |
|--------------|---------------------|--------------|----------------------|------------------|------------------------------------|------------------|------------|
| C490BPG-47 | Euro III A | XINCHAI | 36.8(36.7)kW/2650rpm | 156N.m/1800rpm | 90mm/4/2.67L | 230g/kW.h | 2-3T |
| C240 | CHN III /Euro III A | ISUZU | 35.4kW/2500rpm | 139.2N.m/1800rpm | 86mm/4/2.369L | 292g/kW.h | 2-3T |
| C490BPG-225 | CHN II | XINCHAI | 36.8(36.7)kW/2650rpm | 156N.m/1800rpm | 90mm/4/2.67L | 230g/kW.h | 2/2.5T |
| A498BT1-58 | Euro III A | XINCHAI | 36.8(36.7)kW/2400rpm | 180N.m/1800rpm | 98mm/4/3.17L | 230g/kW.h | 3/3.5T |
| S4S-474 | Euro III A | MITSUBISHI | 35.3kW/2300rpm | 177N.m/1800rpm | 120mm/4/3.331L | 225g/kW.h | 3/3.5T |
| 4JG2 | Euro II | ISUZU | 46kW/2450rpm | 186N.m/1700rpm | 95mm/4/3.059L | 265g/kW.h | 3/3.5T |