

CONFIGURATION

| | |
|--------------------------------------|-------------------------------|
| Multi-function Instrument | Driving OPS |
| Lifting/Steering Computer Controlled | Wide Field Mast |
| Pedal Rubber | Gear Pump with Low Noise |
| Standard Battery | Load Sensing Hydraulic System |
| Emergency Power Off | Charging Indicator |
| Standard Seat | Electric Horn |
| Full-hydraulic Power Steering | Reversing Buzzer |
| Standard Forks | Traction Pin |
| Adjustable Steering Column | Tool Box |
| Lifting and Tilting Joysticks | Solid Tires |
| Two Piece Multiplex Valve | |

OPTIONAL

| | |
|----------------------------|-------------------------------|
| Rear Working Lamp | Full Set LED Lamps |
| Working Warning Light | Full Set OPS (drive and lift) |
| Suspension Seat | Widen and Lengthen Backrest |
| Green Solid Tires | Widen Fork Frame |
| 2 Stage Free Mast | Lengthen Fork Jacket |
| 3 Stage Free Mast | Tilting Cylinder Sleeve |
| Lifting Potentiometer | Steering Cylinder Sleeve |
| Battery Charger | Custom Colors |
| Valve and piping Reserving | Multiple Work Attachments |
| Cabin | Warm-air Blower |

PRODUCT FEATURES

Advanced AC dual drive motor, which can produce strong traction and power.

Ultra-small turning radius, improve passability and space utilization.

Regenerative braking function, prolong effective using time of battery.

Intelligent LCD, can display the fault code, improve the maintenance efficiency.

Powerful AC pump motor provides greater torque, making lifting and dropping of forks more smooth.

Anti-skid function of ramp enables machine to slide smoothly and automatically on ramp.

The following blank can be used for notes or comments.

**For more information on Lonking products,
Please contact our local agent:**

Lonking, Lonking LG Series and their respective logos, as well as corporate identity in this leaflet are trademarks of Lonking Holdings Ltd., and may not be used without written permission.
2020/06

Specifications and design are subject to change without prior notice.
Machines shown may not include optional accessories.

LONGKING 龙工

LG/16/18/20BE3

BALANCEWEIGHT TYPE FORKLIFT TRUCK WITH BATTERY
Efficiency Rules the Future



LONGKING (FU JIAN) INTERNATIONAL TRADE CO., LTD.

LONGKING HOLDINGS LIMITED

Add: 26 Minyi Road, Xinqiao, Songjiang Industrial Zone, Shanghai

Tel: +86-21-3760 2242 E-mail: export@lonking.cn

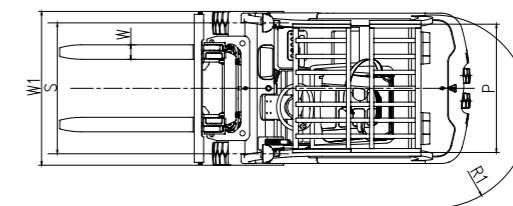
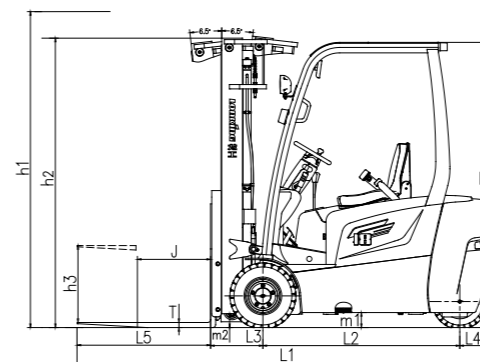
<http://www.lonkinggroup.com>

- Rated Capacity (kg)
- Load Center (mm)
- Power Type

| | LG16BE3 | LG18BE3 | LG20BE3 |
|---------------------|---------------|---------|---------|
| Rated Capacity (kg) | 1600 | 1800 | 2000 |
| Load Center (mm) | 500 | 500 | 500 |
| Power Type | Electric (AC) | | |

OVERALL SPECIFICATIONS

| No. | Item | Code | Unit | | | |
|------|--|-------|------|-------------------------|-----------|-------------|
| 1.01 | Manufacturer | | | LONKING | | |
| 1.02 | Model | | | LG16BE3 | LG18BE3 | LG20BE3 |
| 1.03 | Power type | | | Electric (AC) | | |
| 1.04 | Rated capacity | Q | kg | 1600 | 1800 | 2000 |
| 1.05 | Load center | J | mm | 500 | 500 | 500 |
| 2.01 | STD Max height (with backrest) | | mm | 4028 | 4028 | 4028 |
| 2.02 | STD Max lifting height | h1 | mm | 3000 | 3000 | 3000 |
| 2.03 | Overhead guard height | h4 | mm | 2044 | 2044 | 2044 |
| 2.04 | Overall length (with fork) | L1 | mm | 2875 | 2875 | 3133 |
| 2.05 | Wheelbase | L2 | mm | 1400 | 1400 | 1508 |
| 2.06 | Front overhang | L3 | mm | 365 | 365 | 365 |
| 2.07 | Rear overhang | L4 | mm | 190 | 190 | 190 |
| 2.08 | Min.ground clearance (Frame/Mast) | m1/m2 | mm | 85/105 | 85/105 | 85/105 |
| 2.09 | Overall width | W1 | mm | 1060 | 1060 | 1120 |
| 2.10 | Adjusting range of fork (outside) | | mm | 200-970 | 200-970 | 200-970 |
| 2.11 | STD Fork size (L5*W*T) | | mm | 920×100×35 | | 1070×120×40 |
| 2.12 | Front wheel tread | S | mm | 910 | 910 | 920 |
| 2.13 | Rear wheel tread | P | mm | 175 | 175 | 175 |
| 2.14 | Min.turning radius | R1 | mm | 1590 | 1590 | 1698 |
| 2.15 | Min aisle width for pallet 1000×1200,crossways | | mm | 3280 | 3280 | 3380 |
| 2.16 | Min aisle width for pallet 800×1200,lengthways | | mm | 3400 | 3400 | 3508 |
| 3.01 | Wheels number, front/rear (X=driven wheels) | | | X=2/1 | | |
| 3.02 | Tires type | | | Solid Tires | | |
| 3.03 | Tires size, front | | | 18×7-8 | 18×7-8 | 200/50-10 |
| 3.04 | Tires size, rear | | | 15×4.5-8 | 15×4.5-8 | 15×4.5-8 |
| 4.01 | Max.traveling speed, loaded/unloaded | | km/h | 13.5/13.5 | 13.5/13.5 | 13/15 |
| 4.02 | Max.lifting speed, loaded/unloaded | | mm/s | 300/440 | 300/440 | 300/440 |
| 4.03 | Lowering speed, loaded/unloaded | | mm/s | Loaded≤600/Unloaded≥300 | | |
| 4.04 | Max.gradient, loaded/unloaded | | % | 20/20 | 20/20 | 20/20 |
| 4.05 | STD operating weight (with oil & water) | | kg | 3180 | 3290 | 3380 |
| 4.06 | Axles loading,front/rear (loaded) | | kg | 4300/620 | 4570/605 | 4920/545 |
| 4.07 | Axles loading,front/rear (unloaded) | | kg | 1600/1600 | 1600/1710 | 1710/1690 |
| 4.08 | Drive motor | | kw | 5.4×2 | 5.4×2 | 5.4×2 |
| 4.09 | Lift motor | | kw | 11 | 11 | 11 |
| 4.10 | Controller | | | inmotion | inmotion | inmotion |
| 4.11 | Battery votage/capacity | | V/Ah | 48/600 | 48/600 | 48/600 |



MAST SPECIFICATIONS

2 Stage Standard Mast-Super Wide Field

| Mast Model | h1 Max Lifting Height(mm) | Load Capacity (J=500mm) (kg) | | | h2 Lowered Mast Height (mm) | h3 Free Lifting Height, without backrest (mm) | Mast tilt α/β (°) |
|-------------|---------------------------|------------------------------|-------------|-------------|-----------------------------|---|-------------------|
| | | LG16BE3 | LG18BE3 | LG20BE3 | | | |
| M250 | 2500 | 1600 | 1800 | 2000 | 1745 | 145 | 6.5/6.5 |
| M270 | 2700 | 1600 | 1800 | 2000 | 1845 | 145 | 6.5/6.5 |
| M300 | 3000 | 1600 | 1800 | 2000 | 1995 | 145 | 6.5/6.5 |
| M330 | 3300 | 1600 | 1800 | 2000 | 2145 | 145 | 6.5/6.5 |
| M350 | 3500 | 1600 | 1800 | 2000 | 2245 | 145 | 6.5/6.5 |
| M360 | 3600 | 1600 | 1800 | 2000 | 2295 | 145 | 6.5/6.5 |
| M400 | 4000 | 1600 | 1800 | 2000 | 2495 | 145 | 3.5/5 |
| M430 | 4300 | 1300 | 1500 | 1700 | 2645 | 145 | 3.5/5 |
| M450 | 4500 | 1200 | 1400 | 1600 | 2795 | 145 | 3.5/5 |
| M480 | 4800 | 1100 | 1300 | 1500 | 2945 | 145 | 3.5/5 |
| M500 | 5000 | 900 | 1100 | 1300 | 3095 | 145 | 3.5/5 |

2 Stage Free Mast-Super Free Lifting Height

| Mast Model | h1 Max Lifting Height(mm) | Load Capacity (J=500mm) (kg) | | | h2 Lowered Mast Height (mm) | h3 Free Lifting Height, without backrest (mm) | Mast tilt α/β (°) |
|--------------|---------------------------|------------------------------|-------------|-------------|-----------------------------|---|-------------------|
| | | LG16BE3 | LG18BE3 | LG20BE3 | | | |
| ZM250 | 2500 | 1600 | 1800 | 2000 | 1745 | 1186 | 6.5/6.5 |
| ZM270 | 2700 | 1600 | 1800 | 2000 | 1845 | 1286 | 6.5/6.5 |
| ZM300 | 3000 | 1600 | 1800 | 2000 | 1995 | 1436 | 6.5/6.5 |
| ZM330 | 3300 | 1600 | 1800 | 2000 | 2145 | 1586 | 6.5/6.5 |
| ZM350 | 3500 | 1600 | 1800 | 2000 | 2245 | 1696 | 6.5/6.5 |
| ZM360 | 3600 | 1600 | 1800 | 2000 | 2295 | 1736 | 6.5/6.5 |
| ZM400 | 4000 | 1600 | 1800 | 2000 | 2545 | 1986 | 3.5/5 |

Note:With backrest, free lifting height reduces 348mm.

3 Stage Free Mast-Super Free Lifting Height

| Mast Model | h1 Max Lifting Height(mm) | Load Capacity (J=500mm) (kg) | | | h2 Lowered Mast Height (mm) | h3 Free Lifting Height, without backrest (mm) | Mast tilt α/β (°) |
|---------------|---------------------------|------------------------------|-------------|-------------|-----------------------------|---|-------------------|
| | | LG16BE3 | LG18BE3 | LG20BE3 | | | |
| ZSM360 | 3600 | 1500 | 1700 | 1900 | 1790 | 1231 | 6.5/6.5 |
| ZSM400 | 4000 | 1400 | 1600 | 1800 | 1928 | 1369 | 3.5/5 |
| ZSM430 | 4300 | 1300 | 1500 | 1700 | 2035 | 1476 | 3.5/5 |
| ZSM450 | 4500 | 1200 | 1400 | 1600 | 2095 | 1536 | 3.5/5 |
| ZSM470 | 4700 | 1150 | 1350 | 1550 | 2160 | 1601 | 3.5/5 |
| ZSM480 | 4800 | 1100 | 1300 | 1500 | 2195 | 1636 | 3.5/5 |
| ZSM500 | 5000 | 900 | 1100 | 1300 | 2265 | 1706 | 3.5/5 |
| ZSM540 | 5400 | 800 | 900 | 1100 | 2395 | 1836 | 3.5/5 |
| ZSM550 | 5500 | 750 | 850 | 1050 | 2440 | 1881 | 3.5/5 |
| ZSM600 | 6000 | 500 | 600 | 850 | 2595 | 2036 | 3.5/5 |
| ZSM650 | 6500 | 400 | 500 | 600 | 2745 | 2186 | 3.5/5 |

Note:With backrest, free lifting height reduces 348mm.